

Illustration - Type - E

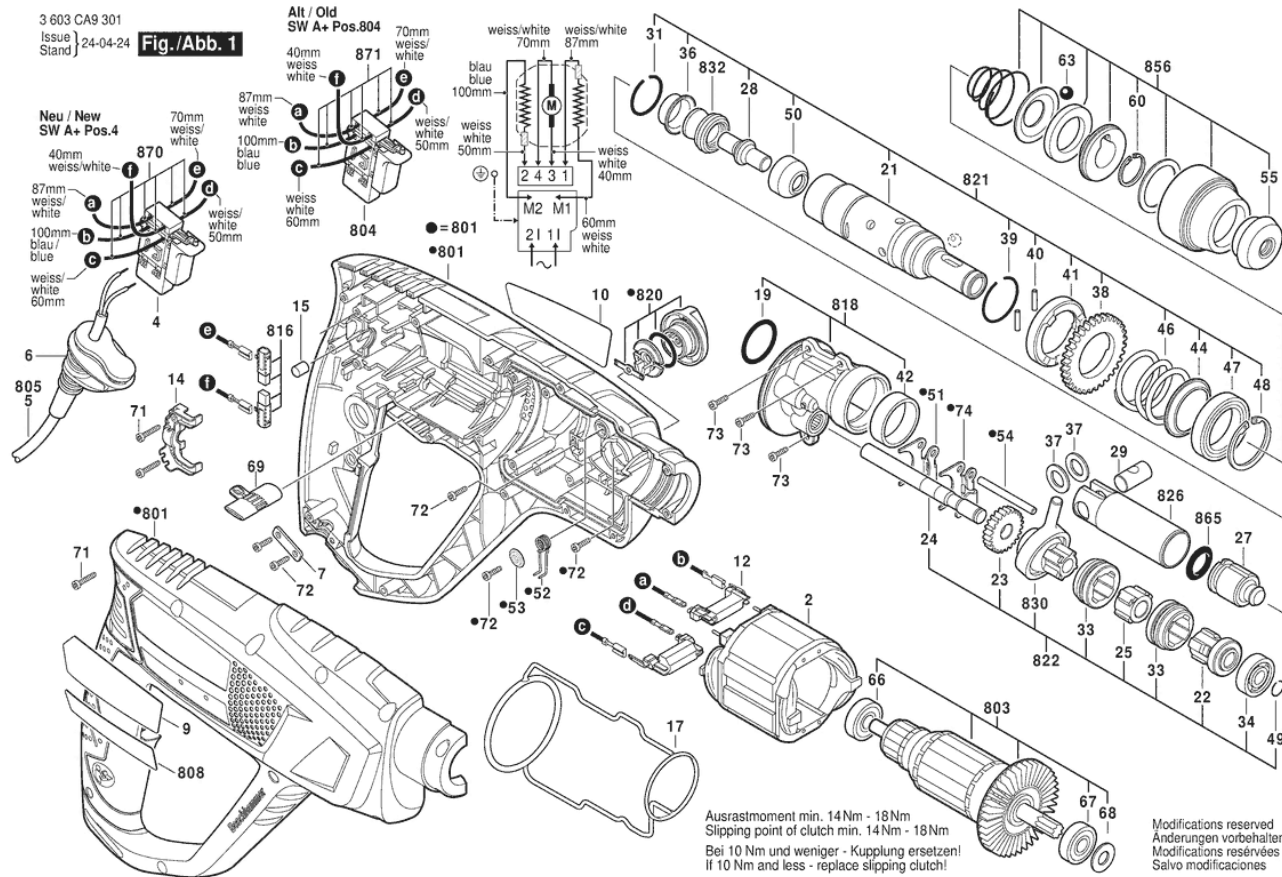
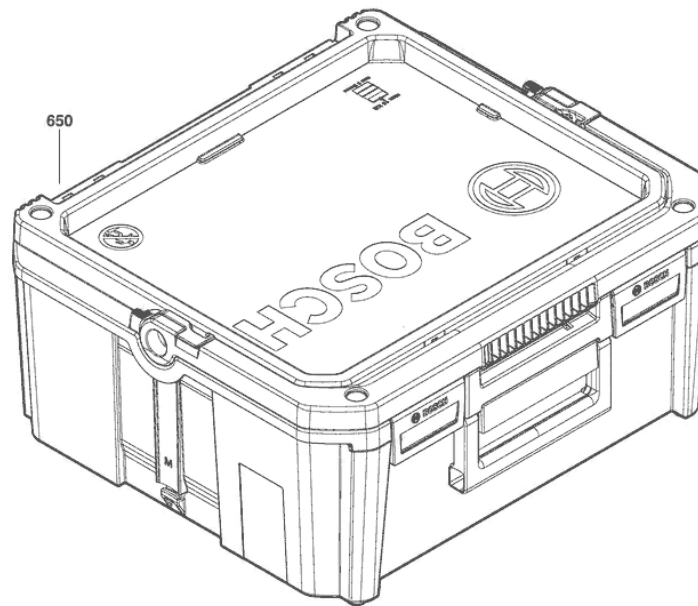
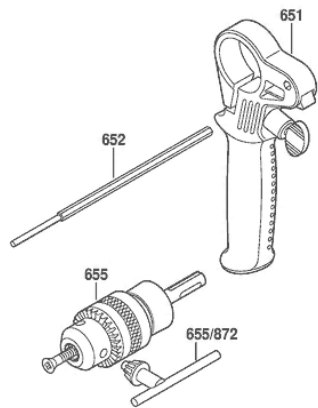


Illustration - Type - E

3 603 CA9 301  
Issue | 23-09-23  
Stand ) **Fig./Abb. 2**



Modifications reserved  
Änderungen vorbehalten  
Modifications réservées  
Salvo modificaciones

## Spare parts list

Item	Part Number	Description	Illustration
2	1 614 220 182	Field 230V	1
5	1 619 P13 271	Power supply cord	1
6	1 619 P09 295	Grommet	1
7	1 611 035 007	Cable Clip	1
9	1 619 P09 296	Manufacturer's nameplate	1
10	1 619 P09 692	Manufacturer's nameplate PBH 2100 RE	1
12	1 617 328 032	Suppression Filter	1
14	1 615 806 187	Bearing Bracket	1
15	2 603 100 056	Damping rubber	1
17	1 611 015 054	Sealing Frame	1
19	1 610 210 184	O-Ring 22,0X2,5 MM	1
21	1 615 806 188	Hammer Pipe	1
22	1 619 P01 786	Pinion	1
23	1 616 317 070	Cylindrical Gear	1
24	1 613 101 010	Transmission Shaft	1
25	1 619 P01 784	Coupling hub	1
27	1 618 710 085	Striker	1
28	1 613 124 084	Striker Pin	1
29	1 613 100 034	Piston Pin	1
31	1 614 601 053	Retaining ring	1
33	1 619 P01 785	Switching Element	1
34	1 610 905 034	Ball Bearing 8X22X6	1
36	1 610 551 008	Holding Plate	1
37	1 610 100 016	Guide Disc	1
38	1 619 P13 665	Cylindrical Gear	1
39	1 614 601 055	Retaining ring	1
40	1 613 100 032	Straight Pin	1
41	1 610 102 072	Ratchet Disc	1
42	1 610 301 004	Plain bearing	1
44	1 619 P14 179	Supporting Disc	1
46	1 614 630 002	Compression Spring	1
47	1 610 905 035	Ball Bearing	1
48	1 614 601 054	Retaining ring	1
49	1 619 P00 829	Retaining ring	1

## Spare parts list

Item	Part Number	Description	Illustration
50	1 619 P11 562	Guide Bushing	1
51	1 619 P01 787	Shift Plate	1
52	1 619 P01 789	Coiled Spring	1
53	1 619 P00 828	Pressure Disc	1
54	1 613 100 033	Guide Rod	1
55	1 610 508 052	Protective Cap	1
60	1 614 601 077	Spring retaining ring	1
63	1 903 230 013	Ball DIN 5401-Ø7MM-III-ST	1
66	1 900 905 029	Ball Bearing 8X22X7	1
67	1 610 905 033	Ball Bearing	1
68	1 614 601 052	Plain Washer	1
69	1 619 P09 293	Change-Over Switch	1
71	1 619 P00 219	Tapping Screw	1
72	1 619 P00 220	Torx Oval-Head Screw 3X10	1
73	2 914 201 483	Torx Oval-Head Screw	1
74	1 619 P01 788	Shift Plate	1
801	1 619 P09 777	Housing Set	1
803	1 619 P01 771	Armature 220-240V	1
804	1 617 200 515	On-Off Switch	1
805	3 607 030 489	Power supply cord	1
808	1 619 P30 499	Nameplate	1
816	1 619 P01 777	Carbon-Brush Set	1
818	1 619 P01 772	Intermediate Flange	1
820	1 619 P09 778	Switch Button	1
821	1 619 P01 773	Hammer Pipe	1
822	1 619 P01 778	Transmission Shaft	1
826	1 618 700 083	Hammer Piston	1
830	1 619 P01 775	Drive bearing	1
832	1 619 PS1 043	Rubber Bushing	1
856	1 619 P02 182	Protection Sleeve	1
865	1 610 210 186	O-Ring 13,0X3,0 MM	1
871	1 619 P01 776	Connecting Cable	1
650	1 605 438 1FV	Carrying Case	2
651	2 602 025 125	Auxiliary Handle BLACK	2
652	2 603 001 009	Depth-Gauge	2

---

**Spare parts list**

<b>Item</b>	<b>Part Number</b>	<b>Description</b>	<b>Illustration</b>
655	1 618 571 031	Key Chuck	2
655/872	2 607 950 007	Chuck Wrench SG2	2